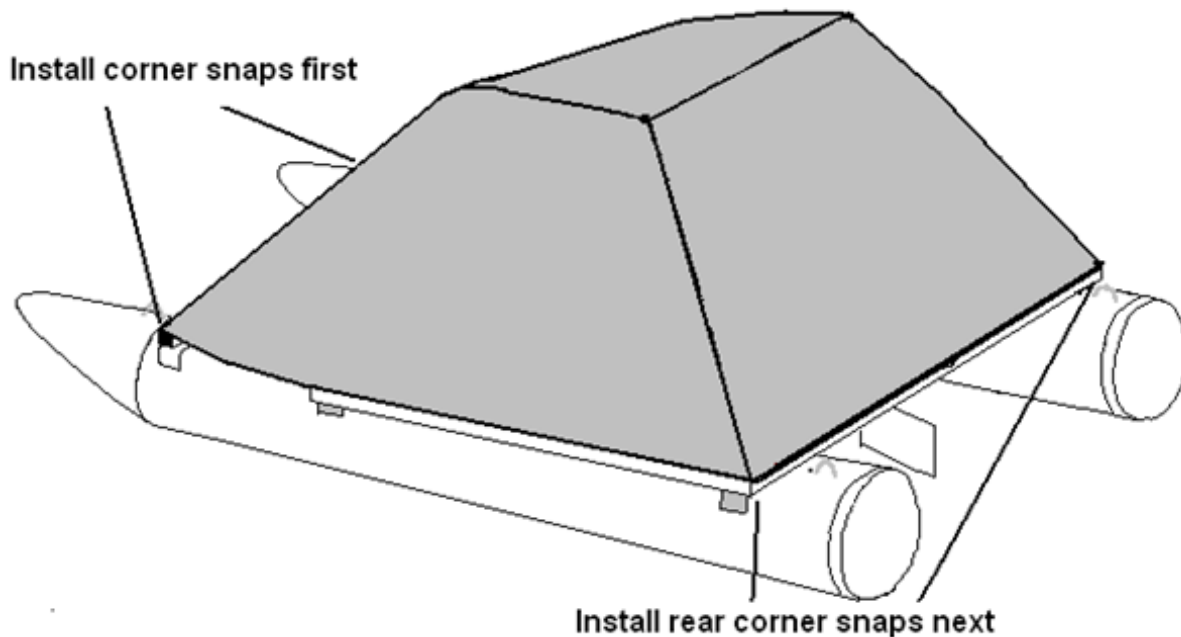


## PK3000 and PK4400 Mooring Cover Installation



You will need a power screwdriver with a #2 Phillips head bit and some chalk. You will need to remove canopy (or lay the canopy completely down on the rear deck) as the mooring cover will not fit over the canopy when it is in the upright position. We recommend inside storage for the canopy top if you are storing it for the winter. You will also need to remove the table unless you have a cover that accommodates the table. Note: Do not over-tighten screws!

1. Unfold the cover and position it over the boat. There is a "Paddle King" label that should go in the front.
2. Using your screw gun and #2 Phillips bit, install the snap-screws on the front corners first, then install the self-drilling snap-screws in the rear corners.
3. Snap the cover onto the four corner snaps.
4. Using chalk, lightly mark the spots where the other snaps would go.
5. Install remaining self-drilling snap-screws.
6. When removing the cover, unsnap each snap—don't yank a whole row off with one pull—this could loosen the snaps or tear them off completely.

### Mooring Cover Maintenance

The cover should be cleaned once a year using a mild soap and water with a soft-bristle brush. Allow the cover to dry completely and apply a UV inhibitor product for vinyl such as 303 Aerospace Protectant. 303 Also makes a good cleaner as well. Apply petroleum jelly or WD-40 on the snaps (on the boat) to keep them working well.

Please feel free to contact us at Paddle King if you have any questions.

(989) 235-6776  
ronda@paddleking.com