



*Owner's Manual for  
Swim Raft*

## **Introduction**

Thank you for purchasing a quality Paddle King product. Please take a few minutes to read this manual before using your swim raft.

The owner and users of the swim raft are responsible for using common sense and good judgment.

## **Safety**

We strongly recommend that you do not dive off the swim raft. Diving is a very dangerous activity that has left many people injured. Children should be watched especially closely while using the raft. Always make sure an adult is supervising! Instruct anyone using the swim raft that there should be an equal distribution of weight on the raft. If you allow children to jump off of the raft, you should instruct them to jump away from the raft, and make sure no one else is in the water where they are jumping. Children should always wear a lifejacket. Only one person at a time should be on the ladder.

## **Anchoring or Mooring**

When placing your raft, you will want to make sure the bottom of the lake underneath and around raft is free from sharp objects (sticks, rocks, etc.), and make sure the raft is not anchored in very shallow water. It is safer to place the raft several feet away from other objects, such as docks, boats, and boat hoists. It is best to anchor the raft away from trees, which may cause debris from the tree to collect on your raft.

To anchor your raft, we recommend using four pieces of ½" marine-grade webbed rope, tied in all four corners of the swim raft. There are four hook-eyes on the bottom of the corner tubes on the raft. Bring the four pieces of rope together in the center, underneath the raft, then tie together and tie to one piece of rope. Tie this piece to an appropriate-size rubber snubber (which can be purchased at marine dealerships or retail stores, such as Overton's, West Marine, or Boaters' World) and tie to a bottom anchor. You can use either a screw-in earth auger or any weighted anchor. This should be anchored directly underneath the raft. Leave one foot of slack in line to allow for rise in water. Please be cautious what kind of anchor you use, especially in shallower water – this could be dangerous for anyone jumping off the swim raft. Make sure the anchor is not on the side of the raft! The screw-in earth auger may be the safest type to use, since it could be screwed in so far down that the top of the head is flush with the bottom of the lake (See diagram at the end of this booklet).

If chemicals are used in your lake or pond, please read all manufacturer's directions and precautions on the chemicals, as they may cause your tubes to corrode. Your raft may have to be pulled out of the water until the chemicals have dissipated.

You should also not moor your raft near ungrounded electrical current, as this could cause corrosion of the tubes. Such current sometimes comes from improperly grounded power sources near the water, such as water pumps or nearby boats.

## **Caring for Your Swim Raft**

Taking good care of your swim raft will assure that your raft will look new, year after year. We recommend that you do not moor your swim raft under trees, as this may cause debris to be collected.

The following is a how-to guide of how to clean and maintain certain surfaces of your swim raft:

**Tube Maintenance:** Use a pontoon tube cleaner, available at retail marine product stores, and a soft-bristle brush to remove any algae or scum on the tubes. It is easier to clean when wet. Your dealer may be able to recommend a type of cleaner that works best for your tubes. Use these types of cleaners with care as they may contain acid. This type of cleaner may brighten up the tubes, but it may never completely remove the waterline, which can't be seen when the boat is in the water anyway. If an aluminum tube gets punctured, it will need to be fixed and welded by a professional welder. Contact your dealer for referrals.

**Salt Water Use:** Our swim rafts were intended for fresh water use. If you plan on using your swim raft in salt water every day, we recommend that you contact your dealer for a recommendation on an anti-fouling salt water paint to use on your tubes. You may want to remove it from the water every month and rinse it down completely with fresh water. Clean the hardware and spray with a corrosive inhibitor every month.

*Floor Coverings:* Keep carpet clean by sweeping with a broom or vacuum. Clean when necessary with a diluted household cleaner and warm water and a scrub brush. Rinse thoroughly and allow to dry completely before covering or storing. We also recommend spraying the carpet down twice a year with a light solution of vinegar and water to keep algae or mold from growing.

### **Winterization and Storage**

By following some simple procedures, you can extend the life of your swim raft. This section includes some general information about storing your swim raft after the season is over.

Before preparing your swim raft for winter storage, thoroughly check the condition of the swim raft. It is a good time to thoroughly clean the raft, as described in the above section. Please note that damage due to improper storage will void the warranty. Make sure swim raft is completely dry before storing.

Indoor storage is ideal, especially in areas where ice and snow accumulate. If storing your swim raft indoors, make sure the facility has adequate ventilation. If storing your swim raft outdoors, it should be covered with a canvas cover or tarp that provides ventilation to keep moisture from building up inside. A snap-on mooring cover with a center pole can be purchased from Paddle King or from your Paddle King dealer. This cover is ideal for storage.

If your swim raft is not stored on the trailer, it may be supported by several old tires under the pontoon tubes. Make sure it is well supported! It is best not to let the swim raft set directly on the ground, as the soil may be acidic, which could corrode the tubes.

### **Statement of Limited Warranty**

Paddle King, Inc., warrants each new swim raft (the product) it manufactures to be free from defects in material and workmanship, under normal non-commercial use and service for (2) years from the first date of retail purchase, with the exception of a three (3) year extended warranty on all welded parts and welded seams of the hull, and a limited lifetime warranty against rot on the wood decking, subject to the terms and conditions stated below:

1. Warrantor: This warranty is granted by Paddle King, Inc., 7110 S. Crystal Road, Carson City, MI 48811.
2. Parties to whom warranty is granted: This warranty is granted to the original retail purchaser when the swim raft is sold through an authorized dealer and is not transferable to any subsequent owner of that swim raft.
3. Warranty covers parts and labor required by an authorized dealer. Shipping of the swim raft is the sole responsibility of the customer unless a written authorization from the Paddle King President is obtained.
4. Parts covered: all parts manufactured by Paddle King, Inc. and installation of parts, which are manufactured by Paddle King, Inc.
5. Parts not covered: All parts that are not manufactured by Paddle King, Inc. These parts may have separate manufacturer's warranty granted by the original manufacturer of the part, such as carpet or deck.
6. Proof of Purchase: a requirement of the Federal Swim raft Safety Act of 1971 provides for defect notification to the first purchaser. Failure to register your purchase with the manufacturer constitutes waiver of the right to defect notification. All warranty claims must be accompanied by a dated and signed bill of sale from an authorized Paddle King, Inc. dealer.
7. Although rare, exposure to chemicals could cause damage to the aluminum tubes and parts. Therefore, please be aware of any chemicals that are being used to treat water that comes in contact with the swim raft, especially in ponds or small bodies of water, and read all chemical manufacturer's instructions and precautions. Paddle King, Inc. will not warranty any parts damaged by chemical contact and does not make any warranty, expressed or implied, as to the integrity of the materials when such chemical contact occurs.

Under the guidelines of this warranty, Paddle King will repair or replace at our option, any swim raft or components found to be defective in material or workmanship upon review at its Carson City, Michigan facility or by an authorized Paddle King dealer. Shipping and transportation costs of the swim raft are the sole responsibility of the swim raft owner.

No person or dealer, agent or representative of Paddle King, Inc. is authorized to make any representation of warranty concerning Paddle King, Inc.'s products on behalf of the company except to refer purchasers to this warranty.

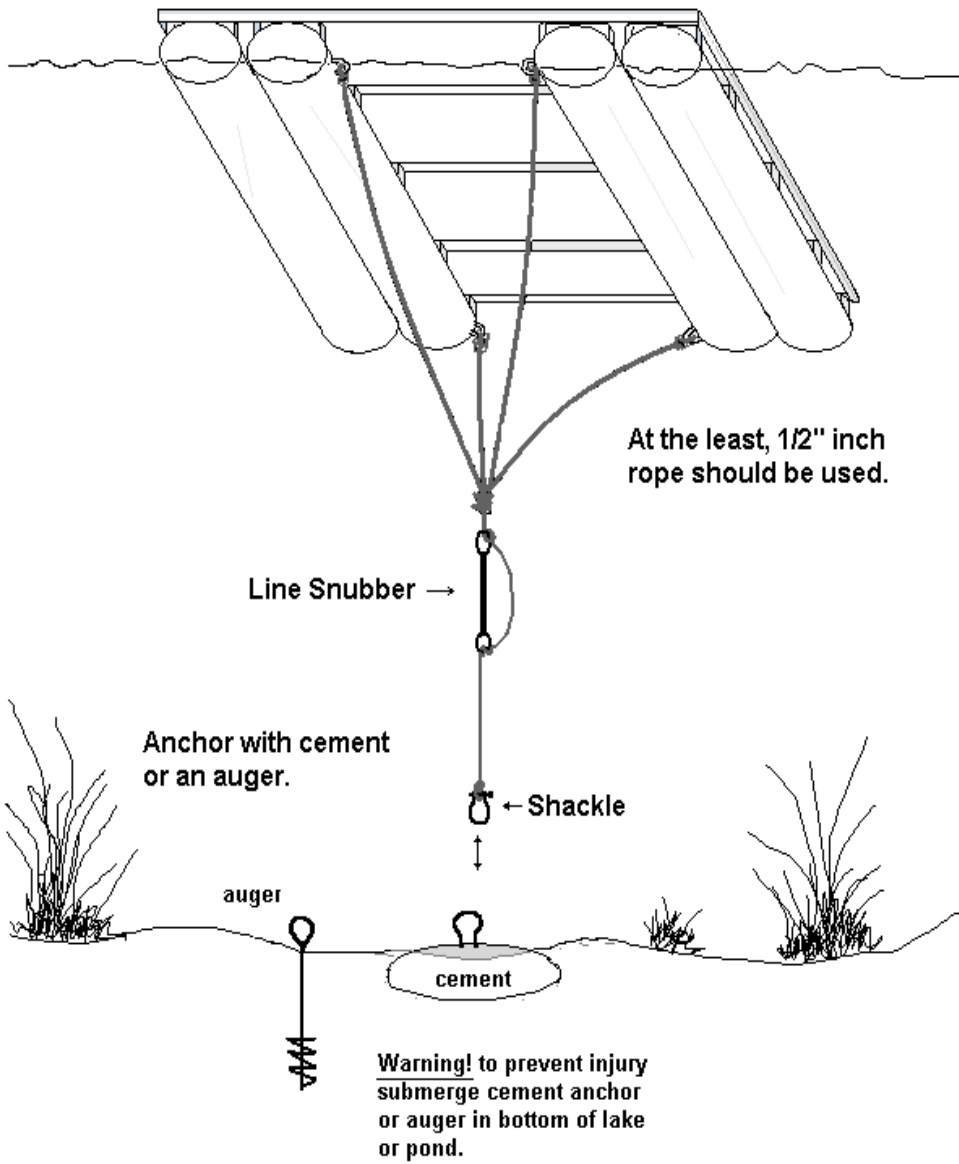
Within 30 days of receipt of a claim, Paddle King, Inc. will arrange for the repair or replacement of the defective part or parts on swim rafts with properly registered warranty cards. All claims must be accompanied by a copy of the original purchase invoice showing the date of purchase, the swim raft serial number and the name of the dealer. By registering your warranty, you are indicating that you are aware of the terms and conditions of the warranty. You may register your boat on-line at [www.paddleking.com](http://www.paddleking.com) (click on "Warranty Registration" at the bottom of home page), or send your warranty cards to:

Paddle King, Inc.  
7110 S. Crystal Road  
Carson City, MI 48811

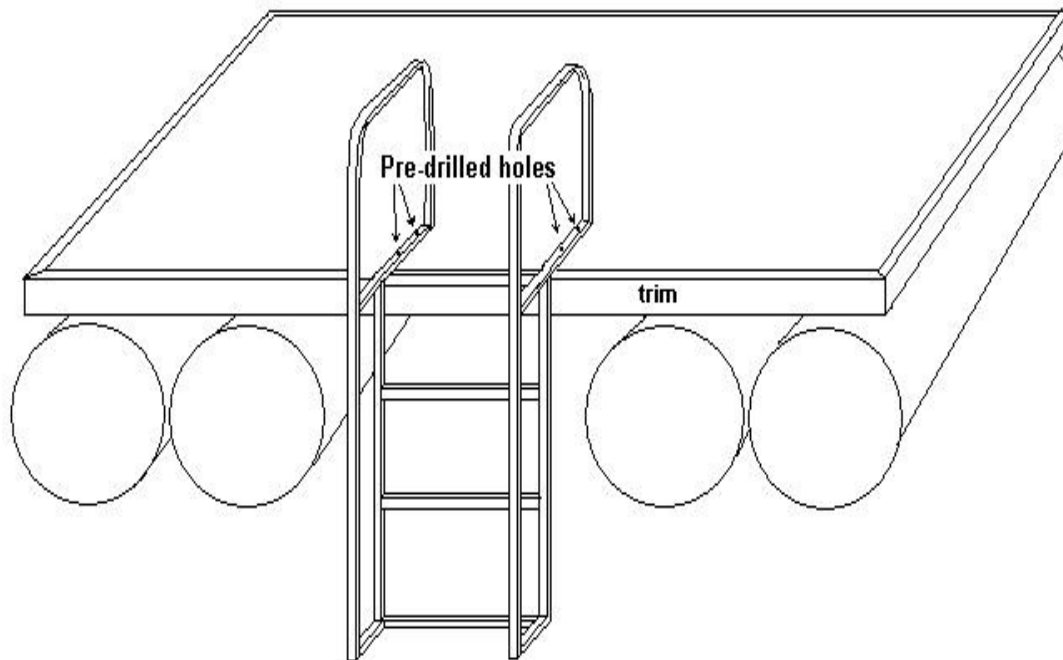
#### Warranty Exclusions:

- Damage caused by mold, mildew, pink stain.
- Any maintenance or repairs required due to ordinary wear and tear on the swim raft.
- Damage caused by non-factory installed items.
- Associated damages claimed to be the result of fungus or termites.
- Damage caused by abuse, neglect, misuse, accident or acts of God.
- Any swim raft subject to improper trailering or loading.
- Any swim raft used in commercial or rental use.
- Any swim raft with damage caused by use of chemicals.

Paddle King, Inc. retains the right to have a representative inspect all parts concerned with any claim initiated under this warranty.



## Mounting the Ladder to the Swimraft



Center ladder on swimraft between tubes.  
Push ladder tight to trim.

With a 1/4" drill bit, drill through  
the pre-drilled holes.

Next, with a hammer, tap 4" carriage bolts  
through the holes until the square head of  
the bolt is sunk into ladder.

Last, it is important to use fender washers  
on bottom of deck when tightening down  
bolts.



7110 S. Crystal Road  
Caron City, MI 48811  
(989) 235-6776  
Visit us at [www.paddleking.com](http://www.paddleking.com)